

STI13610FR

STI Enviro Stopper®



PRODUCT OVERVIEW

A protective cover that is ideal for extending the life and reliability of devices exposed to harsh environments. It offers protection to manual call points and switches against dust and water ingress both outside and inside, as well as preventing tampering, vandalism and damage from accidental or malicious operation.

HOW IT WORKS

Easy to install, the Enviro Stopper consists of a clear, tamperproof, tough polycarbonate cover and back box that can accommodate a standard European call point or switch. When the cover is closed, the unit is sealed and achieves a rating of IP66/56, preventing dust, grime and water getting to the device.

KEY FEATURES

General Information

- Protective cover is ideal for extending the life and reliability of devices exposed to harsh environments.
- Three year guarantee against breakage of polycarbonate in normal use (one year on electromechanical and electronic components).

Design

- Option 6 - Cover, back box and sealed mounting plate achieves IP66 (back box) and IP56 (cover) rating.
- Option 7 - Cover, back box and open mounting plate achieves IP56 (back box) and IP56 (cover) rating.

Construction

- Tough polycarbonate housing can withstand the severest of knocks.

Installation

- Ideal for use in wet or wash down areas, overall rating of IP56/IP66 for the back box.
- Can accommodate a standard European call point or switch.
- Typical working properties of polycarbonate are -40° to 121°C (-40° to 250°F).

Electronics

- Available with or without a 95 dB integral sounder, powered by a 9V PP3 battery (included).

Options

- One breakseal is supplied with each model. Additional breakseals are available for added security.
- Available in a range of colours.
- Custom labelling available.

STI Enviro Stopper®

Dimensions and Technical Information

BUILD YOUR OWN MODEL

STI-1

Cover Options:

- 3 = Dome cover
- 4 = Low profile cover

Mounting Options:

- 6 = European enclosed back box & sealed mounting plate
- 7 = European enclosed back box & open mounting plate
- with 20mm entry point

Hood/Horn Options:

- 00 = No Label hood (label option must be NC)
- 10 = Label hood without sounder ★
- 20 = Label hood with sounder ★●
- 30 = Label hood with sounder and relay ★●
- ★ All colours except NC ● Not available with Low profile covers

Housing/Sounder Colour & Label Options:

- FR (red) - IN CASE OF FIRE - LIFT COVER / ACTIVATE FIRE ALARM
- FR-BREAK (red) - IN CASE OF FIRE - LIFT COVER / BREAK GLASS
- FR-PULL (red) - IN CASE OF FIRE - LIFT COVER / PULL FIRE ALARM
- EG (green) - IN CASE OF EMERGENCY - LIFT COVER / BREAK GLASS TO OPEN DOOR

No Label

- NB = Blue
- NC = Clear
- NG = Green
- NR = Red
- NW = White
- NY = Yellow

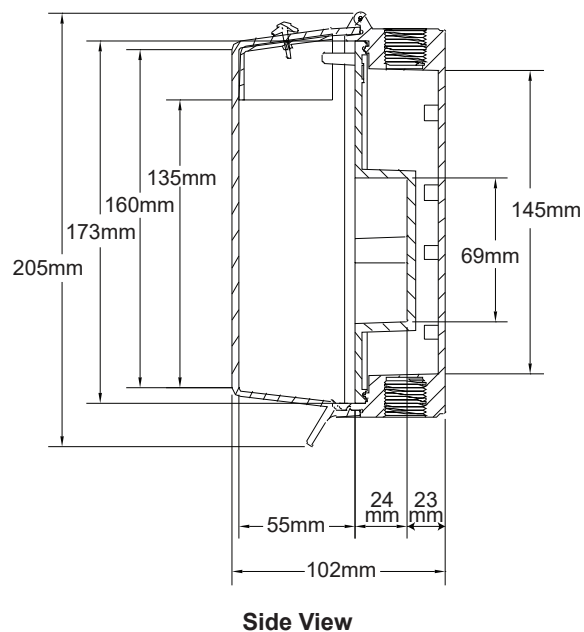
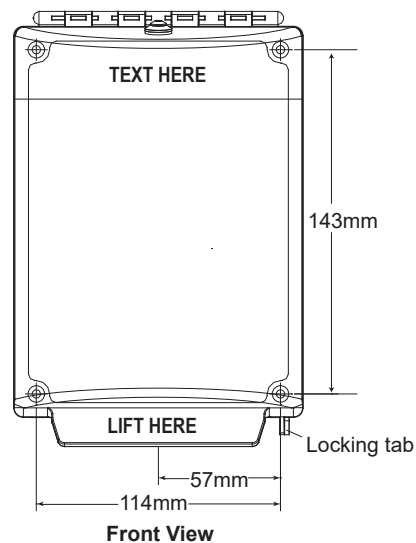
Custom Label

- CB = Blue
- CG = Green
- CR = Red
- CW = White
- CY = Yellow

For custom label option, must provide wording (2 lines, 30 characters per line including spaces limit)

Language Options:

- FR French -NL Dutch
 - ES Spanish -DE German
- No additional coding is required for an English label



MODELS AVAILABLE

STI-13610FR Enviro Stopper, (EU enclosed plate & frosted back box) without integral sounder, with ACTIVATE FIRE ALARM label.

STI-13620FR Enviro Stopper, (EU enclosed plate & frosted back box) with integral sounder, with ACTIVATE FIRE ALARM label.

Accessories:

- STI/BS** Break Seals (Quantity: 10)
- KIT-319** Wiring harness for remote power
- KIT-EA135** Servicing pin
- STI-6602** Replacement Sounder Unit

APPROVALS

- ADA Compliant
- Cover option '3' only has been tested and approved or listed by:
- UL/CUL Listed No. S2466

Back box, open mounting plate - IP Rating, 56

Back box, sealed mounting plate - IP Rating, 66

